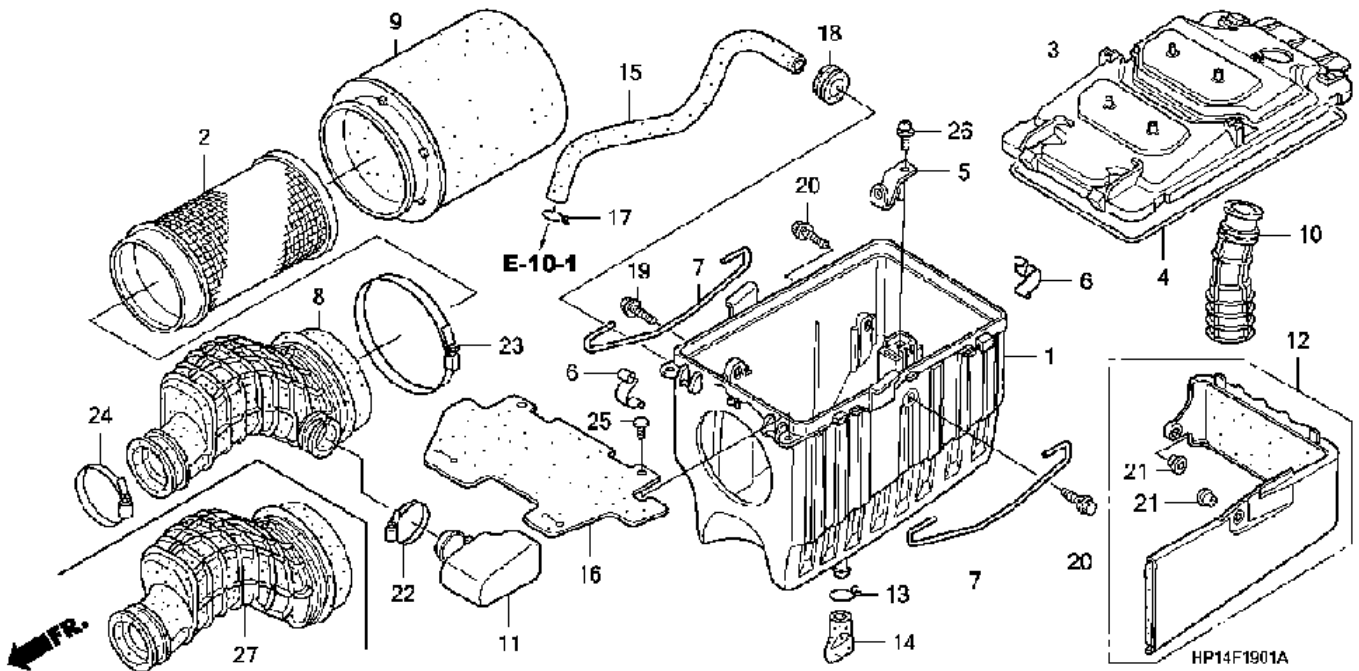




Part Number 150928P

Air Filter (FR) Honda TRX 450
(With Rubber Dia-100mm, Insert and Clamps)

Instructions:



1. Access the stock air filter assembly.
2. Using the above picture for reference remove the stock air filter (9), filter cage (2), and mounting clamp (23).
3. Place provided flange into the air boot (8) and use one of the provided clamps to tighten flange into the air boot.
4. Install filter after oiling onto the newly installed flange and tighten with the remaining clamp.

If you have any other questions feel free to contact us. For contact information go to www.twinair.com or www.twinairusa.com.



Twin Air Parts and Accessories

- PowerFlow Replacement Air Filter: #150928FR
- Replacement Oil Filter: #140003

Twin Air Cleaning and Oiling Products

- Bio Dirt Remover: #159004
- Liquid Bio Power: #159017
- Bio Pack (Dirt Remover / Liquid Power): #159020
- Bio Spray: #159018M
- Twin Air Bio System: #159000BIO

For more details or to purchase these or other Twin Air products go to www.twinair.com, www.twinairusa.com or visit your local Twin Air Authorized Dealer.