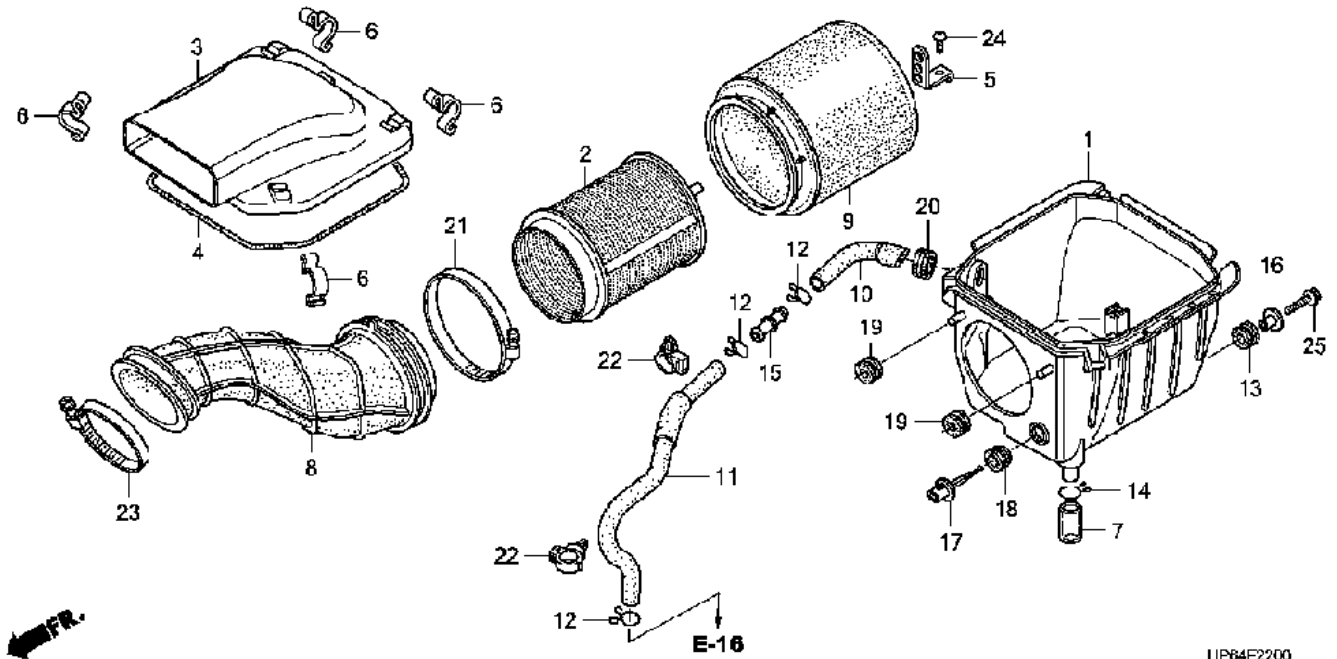




Part Number 150932P

Air Filter (FR) Honda TRX 700XX
(With Rubber Dia-100mm, Reducer and Clamp)

Instructions:



1. 150932P includes Twin Air filter, spring, flange, and two clamps
2. Remove stock filter (9), cage (2), clamp (21), and locating hardware (5,24).
3. Install flange into air boot (8) and tighten with one of the supplied clamps.
4. Oil filter before installation. Install filter onto flange securing the filter with the remaining supplied clamp.

If you have any other questions feel free to contact us. For contact information go to www.twinair.com or www.twinairusa.com.



Twin Air Parts and Accessories

- PowerFlow Replacement Air Filter: #150932FR

Twin Air Cleaning and Oiling Products

- Bio Dirt Remover: #159004
- Liquid Bio Power: #159017
- Bio Pack (Dirt Remover / Liquid Power): #159020
- Bio Spray: #159018M
- Twin Air Bio System: #159000BIO

For more details or to purchase these or other Twin Air products go to www.twinair.com, www.twinairusa.com or visit your local Twin Air Authorized Dealer.