

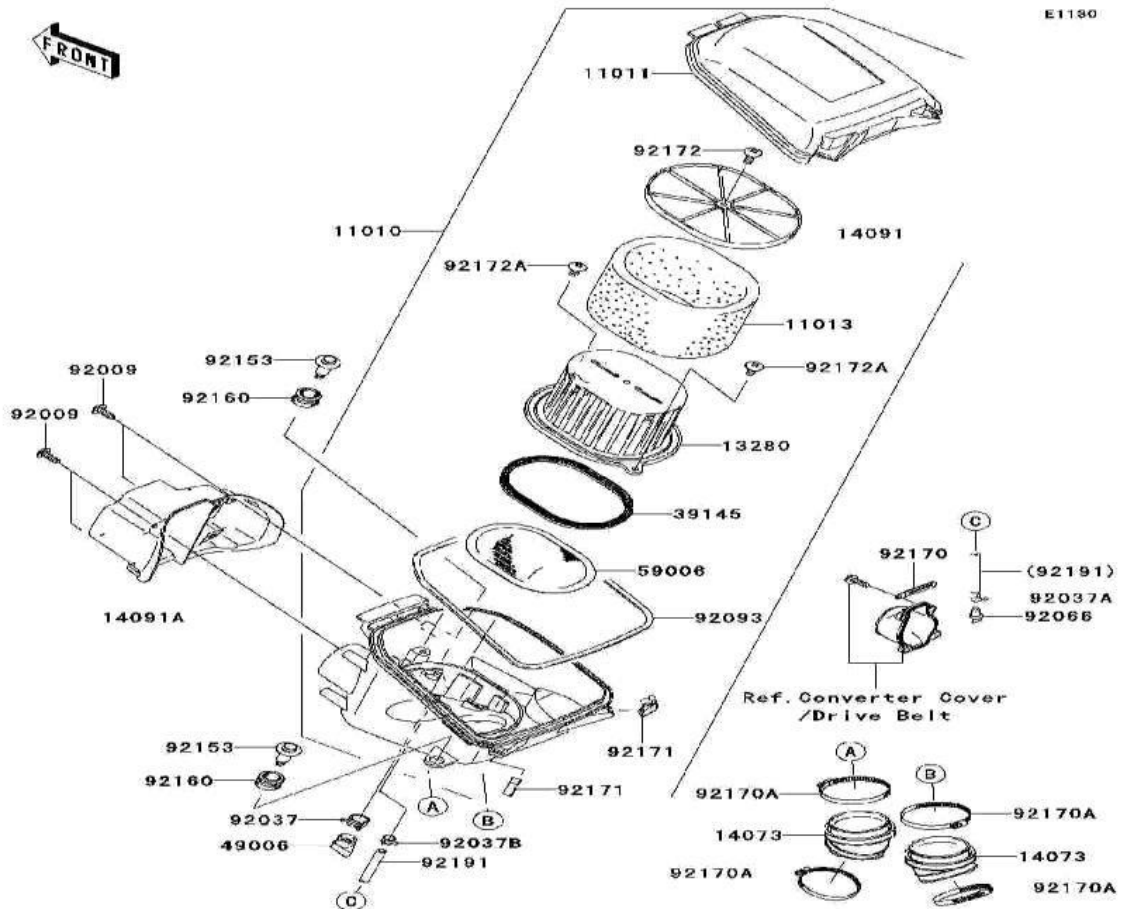


## Part Number 151391C

### PowerFlow Kit Kawasaki Brute Force 750 Brute Force 650 4x4i

(incl. Air Filter (FR), Aluminium Cage, Sealing Ring, Mounting Hardware)

#### Instructions:



1. 151391C includes a Twin Air filter, flange, cage, and wing bolt.
2. Remove stock air filter system by removing the two screws at the base of the filter.
3. Remove the backfire screen under the air filter and keep the sealing trim (item #39145) for re-use.
4. Install the Twin Air flange with the sealing trim installed with the two screws that held the original filter in place.
5. Oil the Twin Air filter and install over the filter cage provided. Install assembly onto flange with the provided wing bolt.

If you have any other questions feel free to contact us. For contact information go to [www.twinair.com](http://www.twinair.com) or [www.twinairusa.com](http://www.twinairusa.com).



**Twin Air Replacement Parts and Accessories**

- PowerFlow Replacement Air Filter: #151391FR
- Factory Pre-Oiled Air Filter: #151391FRX
- Replacement Oil Filter: #140015

**Twin Air Cleaning and Oiling Products**

- Bio Dirt Remover: #159004
- Liquid Bio Power: #159017
- Bio Pack (Dirt Remover / Liquid Power): #159020
- Bio Spray: #159018M
- Twin Air Bio System: #159000BIO

For more details or to purchase these or other Twin Air products go to [www.twinair.com](http://www.twinair.com), [www.twinairusa.com](http://www.twinairusa.com) or visit your local Twin Air Authorized Dealer.