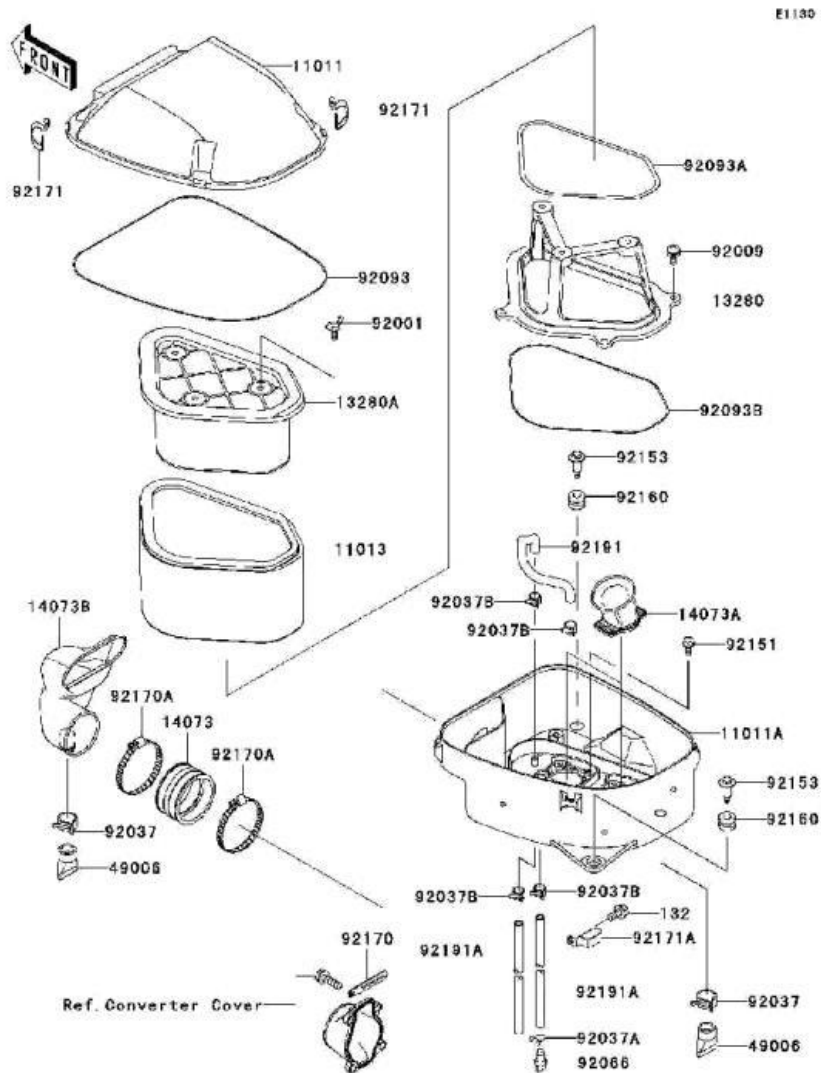




Part Number 151914C

PowerFlow Kit Kawasaki 650 Brute-Force, V-Force, 700 Prairie
(incl. Air Filter (FR), Wire Cage, kit uses stock Mounting Hardware)

Instructions:



1. 151914C includes a Twin Air Factory BIO Pre-Oiled Air Filter, cage, three wing bolts, and three washers.
2. Remove the three wing bolts on the top of the air filter and take the filter element, holder, and o-ring out.
3. Place the pre-oiled air filter on the cage provided being sure to line the tabs on the cage up with the rubber grommets on the filter.
4. Use the provided wing bolts and washers to attach the filter assembly to the holder.

If you have any other questions feel free to contact us. For contact information go to www.twinair.com or www.twinairusa.com.



Twin Air Replacement Parts and Accessories

- PowerFlow Replacement Air Filter: #151914FR
- Factory Pre-Oiled Air Filter: #151914FRX
- Replacement Oil Filter: #140015

Twin Air Cleaning and Oiling Products

- Bio Dirt Remover: #159004
- Liquid Bio Power: #159017
- Bio Pack (Dirt Remover / Liquid Power): #159020
- Bio Spray: #159018M
- Twin Air Bio System: #159000BIO

For more details or to purchase these or other Twin Air products go to www.twinair.com, www.twinairusa.com or visit your local Twin Air Authorized Dealer.