

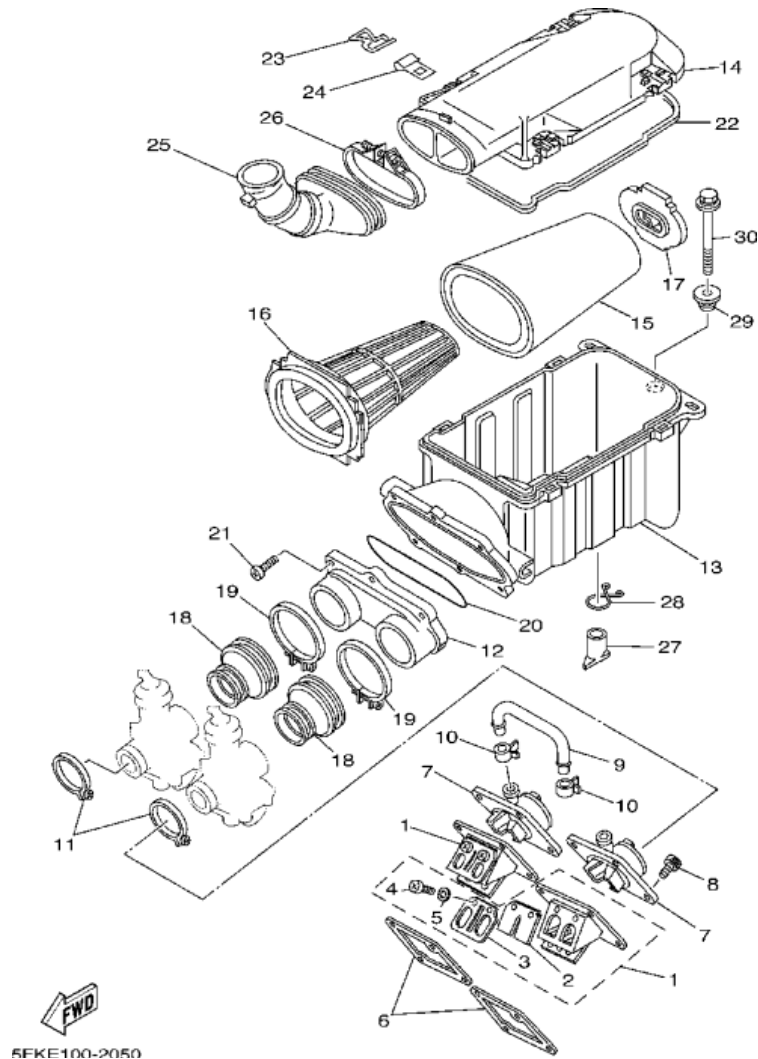


## Part Number 152799C

### PowerFlow Kit Yamaha Banshee YFZ350

(incl. Air Filter (FR), Aluminium Flange, cage and Mounting Hardware)

#### Instructions:



1. 152799C contains Twin Air Factory BIO Pre-Oiled air filter, flange, filter cage, wing bolt, and two 6mm bolts.
2. Remove stock air filter, cage, and end cap.
3. Place flange into the front of the air box and mark top two holes for drilling.
4. Drill the marked holes with a 1/4" drill bit and install flange.
5. Install the pre-oiled air filter onto the filter cage. Using the supplied wing bolt assemble the air filter assembly to the flange.

If you have any other questions feel free to contact us. For contact information go to [www.twinair.com](http://www.twinair.com) or [www.twinairusa.com](http://www.twinairusa.com).



**Twin Air Replacement Parts and Accessories**

- PowerFlow Replacement Air Filter: #152799FR
- Airbox Cleaning Cover: #160089

**Twin Air Cleaning and Oiling Products**

- Bio Dirt Remover: #159004
- Liquid Bio Power: #159017
- Bio Pack (Dirt Remover / Liquid Power): #159020
- Bio Spray: #159018M
- Twin Air Bio System: #159000BIO

For more details or to purchase these or other Twin Air products go to [www.twinair.com](http://www.twinair.com), [www.twinairusa.com](http://www.twinairusa.com) or visit your local Twin Air Authorized Dealer.