

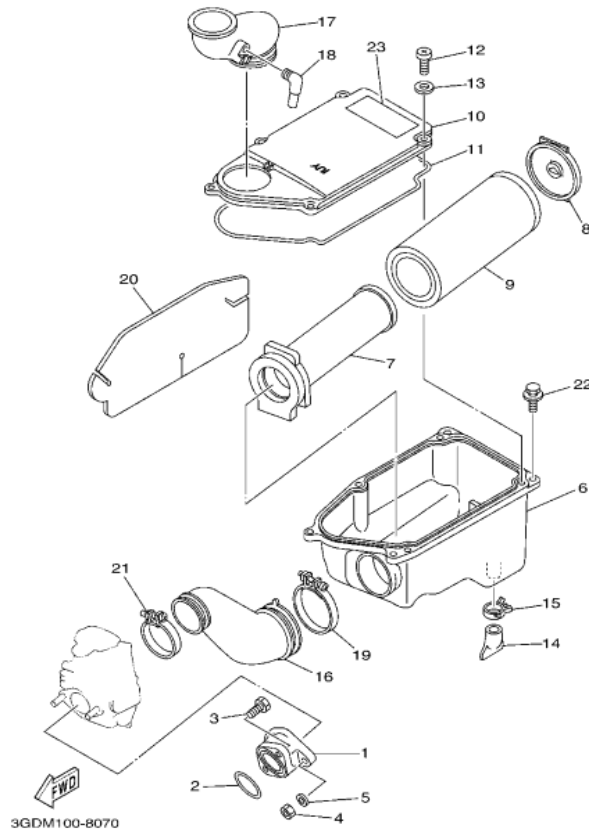


Part Number 152920C

PowerFlow Kit Yamaha Warrior, Wolverine

(incl. Air Filter (FR), Wire Cage, Aluminium Flange and Mounting Hardware)

Instructions:



1. 152920C contains a Twin Air Factory BIO Pre-Oiled air filter, clamp, flange, o-ring, and two 6mm bolts.
2. Start by removing the stock air filter, cage, and end cap.
3. Remove the air boot on the front of the air box that connects to the carb.
4. Place the Twin Air flange inside the air box with the bolt holes towards the top and mark the air box where the two bolt holes need to be placed.
5. Drill the marked holes with a 1/4" drill bit and then install the flange with the sealing o-ring installed.
6. Re-install the air boot onto the front of the airbox.
7. Install the pre-oiled air filter onto the flange and secure with the supplied clamp.

If you have any other questions feel free to contact us. For contact information go to www.twinair.com or www.twinairusa.com.



Twin Air Replacement Parts and Accessories

- PowerFlow Replacement Air Filter: #152920FR

Twin Air Cleaning and Oiling Products

- Bio Dirt Remover: #159004
- Liquid Bio Power: #159017
- Bio Pack (Dirt Remover / Liquid Power): #159020
- Bio Spray: #159018M
- Twin Air Bio System: #159000BIO

For more details or to purchase these or other Twin Air products go to www.twinair.com, www.twinairusa.com or visit your local Twin Air Authorized Dealer.