

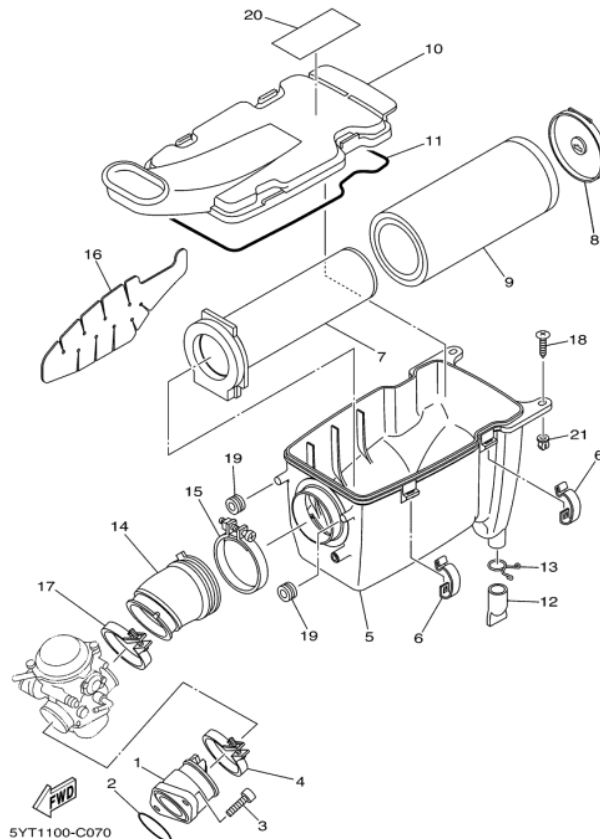


Part Number 152922C

PowerFlow Kit Yamaha Raptor 350

(incl. Air Filter (FR), Aluminium Flange and Mounting Hardware)

Instructions:



1. 152922C contains a Twin Air Factory BIO Pre-Oiled Air Filter, clamp, flange, o-ring, and two 6mm bolts.
2. Start by removing the stock air filter, cage, and end cap.
3. Remove the air boot that connects the air box to the carb.
4. Place flange in the front of the air box and mark the two holes on the top of the flange for drilling.
5. Drill two $\frac{1}{4}$ " holes where the air box is marked and install the flange with the supplied o-ring installed with the provided 6mm bolts.
6. Re-install the air boot on the front of the air box.
7. Slide the pre-oiled air filter into place on the flange and tighten with the supplied clamp.

If you have any other questions feel free to contact us. For contact information go to www.twinair.com or www.twinairusa.com.



Twin Air Replacement Parts and Accessories

- PowerFlow Replacement Air Filter: #152919FR
- Replacement Oil Filter: #140008

Twin Air Cleaning and Oiling Products

- Bio Dirt Remover: #159004
- Liquid Bio Power: #159017
- Bio Pack (Dirt Remover / Liquid Power): #159020
- Bio Spray: #159018M
- Twin Air Bio System: #159000BIO

For more details or to purchase these or other Twin Air products go to www.twinair.com, www.twinairusa.com or visit your local Twin Air Authorized Dealer.