

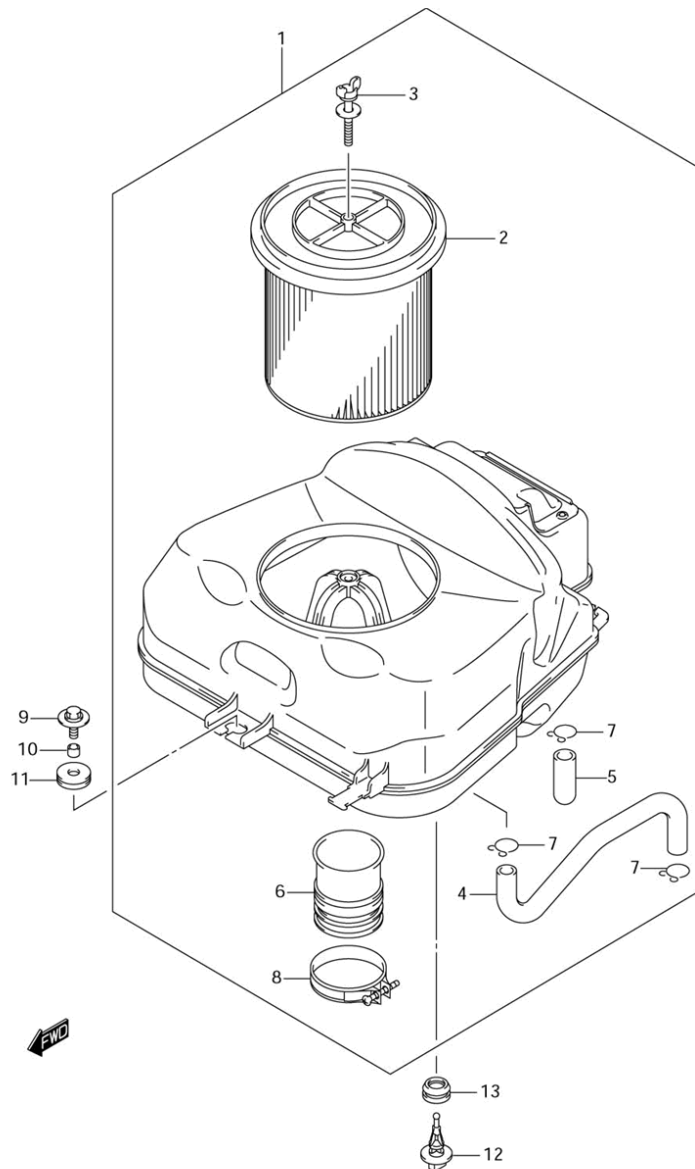


## Part Number 153915C

### PowerFlow Kit Suzuki King Quad 700

(incl. Air Filter (FR), Wire Cage and Airbox Lit)

#### Instructions:



1. 153915C includes Twin Air Factory BIO Pre-Oiled Air Filter, Cage, and Lid.
2. Installation of this kit is fast and simple. Remove the stock air filter element/lid from the air box by taking out the wing bolt located on the top.
3. Install the pre-oiled Twin Air filter onto the provided cage and slide into place. Place lid on top and secure with the original wing bolt.

If you have any other questions feel free to contact us. For contact information go to [www.twinair.com](http://www.twinair.com) or [www.twinairusa.com](http://www.twinairusa.com).



**Twin Air Replacement Parts and Accessories**

- PowerFlow Replacement Air Filter: #153915FR
- Pre-Oiled Replacement Filter: #153915FRX
- Replacement Oil Filter: #140006

**Twin Air Cleaning and Oiling Products**

- Bio Dirt Remover: #159004
- Liquid Bio Power: #159017
- Bio Pack (Dirt Remover / Liquid Power): #159020
- Bio Spray: #159018M
- Twin Air Bio System: #159000BIO

For more details or to purchase these or other Twin Air products go to [www.twinair.com](http://www.twinair.com), [www.twinairusa.com](http://www.twinairusa.com) or visit your local Twin Air Authorized Dealer.