

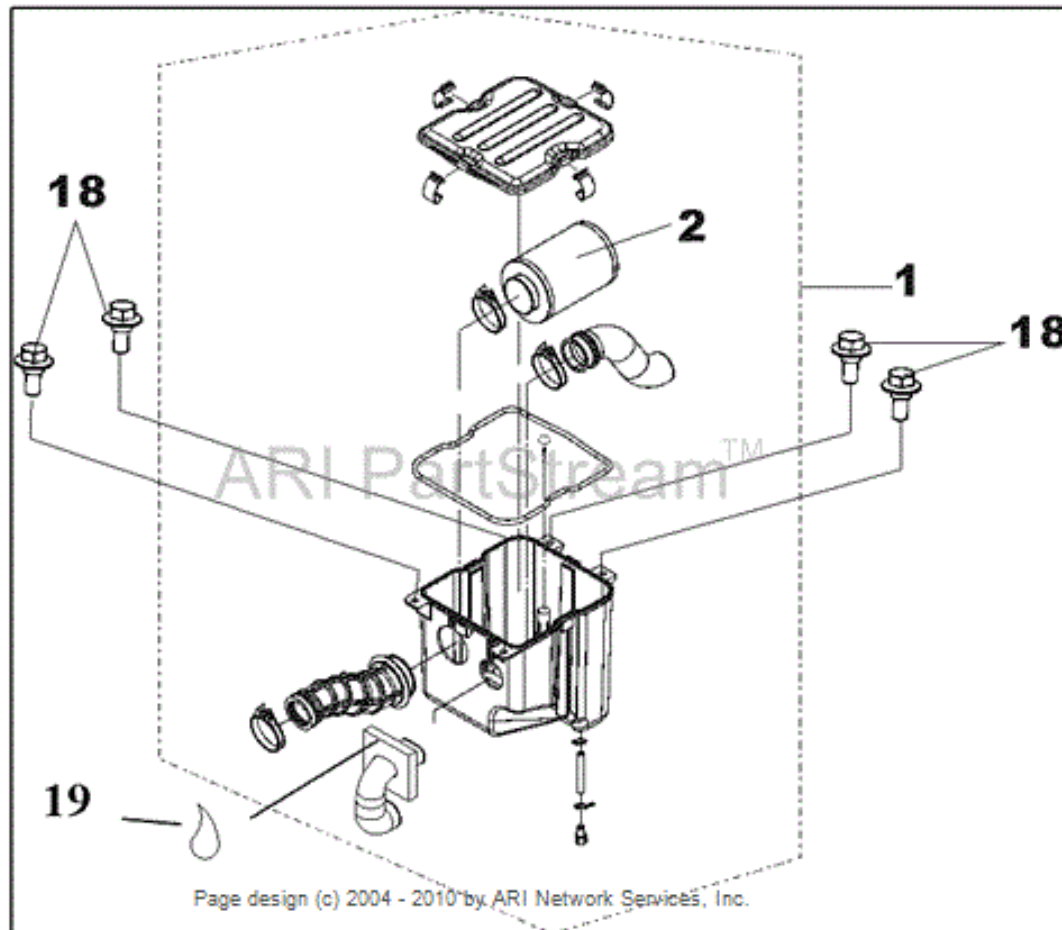


## Part Number 156055P

### Air Filter with Reducer Bombardier DS 250

(With Rubber Dia-63mm)

#### Instructions:



35T0715

1. 156055P includes a Twin Air filter, flange, and two clamps.
2. Remove stock filter and clamp from airbox.
3. Install the flange into the air boot and tighten with one of the supplied hose clamps.
4. After properly oiling the air filter, slide the filter onto the flange and tighten with the remaining clamp.

If you have any other questions feel free to contact us. For contact information go to [www.twinair.com](http://www.twinair.com) or [www.twinairusa.com](http://www.twinairusa.com).



**Twin Air Parts and Accessories**

- PowerFlow Replacement Air Filter: #156055FR

**Twin Air Cleaning and Oiling Products**

- Bio Dirt Remover: #159004
- Liquid Bio Power: #159017
- Bio Pack (Dirt Remover / Liquid Power): #159020
- Bio Spray: #159018M
- Twin Air Bio System: #159000BIO

For more details or to purchase these or other Twin Air products go to [www.twinair.com](http://www.twinair.com), [www.twinairusa.com](http://www.twinairusa.com) or visit your local Twin Air Authorized Dealer.