

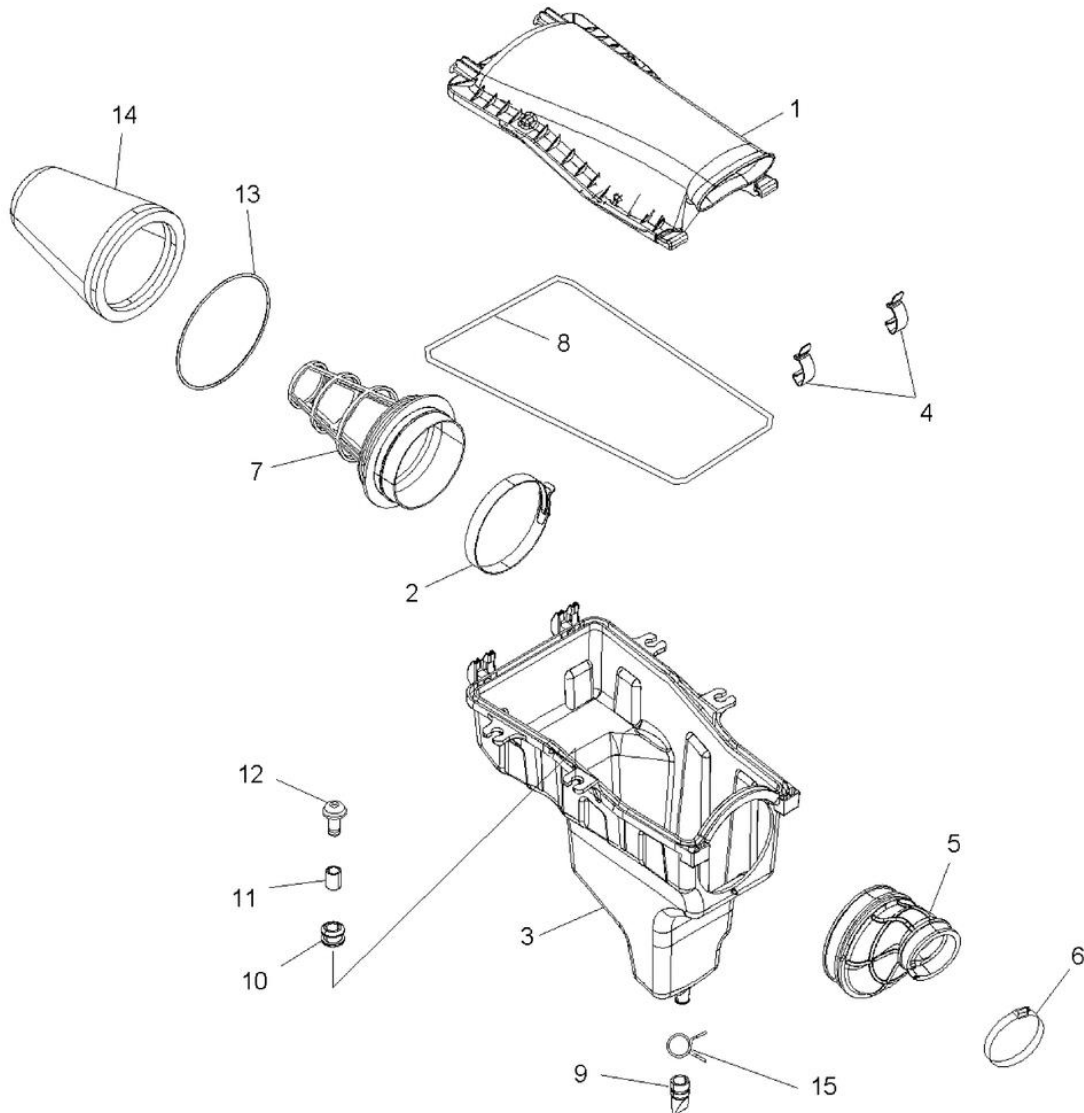


Part Number 156142C

PowerFlow Kit Polaris 525 Outlaw

(incl. Air Filter (w/Rubber 100mm) (FR), plastic ring and two clamps)

Instructions:



1. 156142C contains a Twin Air Factory BIO Pre-Oiled Air Filter, flange and two clamps.
2. Remove the stock air filter (14), ring (13), cage (7), and clamp (2).
3. Install Twin Air flange into the air boot (5) and tighten with one of the supplied clamps.
4. Slide Twin Air pre-oiled filter onto the flange and tighten with remaining clamp.

If you have any other questions feel free to contact us. For contact information go to www.twinair.com or www.twinairusa.com.



Twin Air Replacement Parts and Accessories

- PowerFlow Replacement Air Filter: #156142FR

Twin Air Cleaning and Oiling Products

- Bio Dirt Remover: #159004
- Liquid Bio Power: #159017
- Bio Pack (Dirt Remover / Liquid Power): #159020
- Bio Spray: #159018M
- Twin Air Bio System: #159000BIO

For more details or to purchase these or other Twin Air products go to www.twinair.com, www.twinairusa.com or visit your local Twin Air Authorized Dealer.